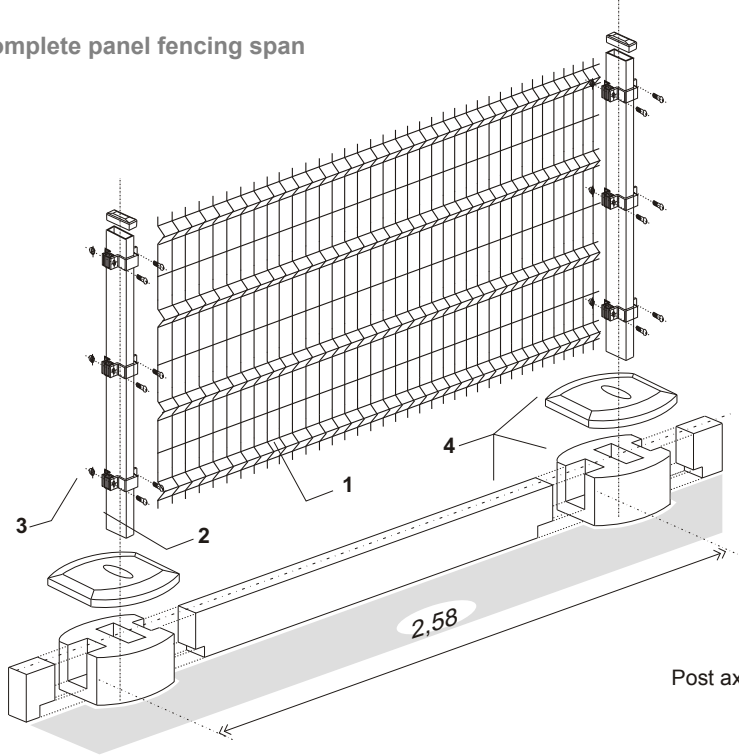


CATALOGUE CARD Fencing panels



fastening with clamp

Complete panel fencing span



- 1 4W fencing panel
- 2 40x60 panel post
- 3 installing clamp
- 4 prefabricated pedestal - option

Post axial spacing = \longleftrightarrow 2,58 m \longleftrightarrow

Standard panel heights

4W Panels

↓	Panel	Panel height	1360	1560	1760	1960	2160	2360	2560
			[mm]	[mm]	[mm]	[mm]	[mm]	[mm]	[mm]
4W	FORTIS	5/5	x	x	x	x	x	x	x
	FOLK	5/4	x	x	x	x	-	-	-
	FOX	4/4	x	x	-	-	-	-	-

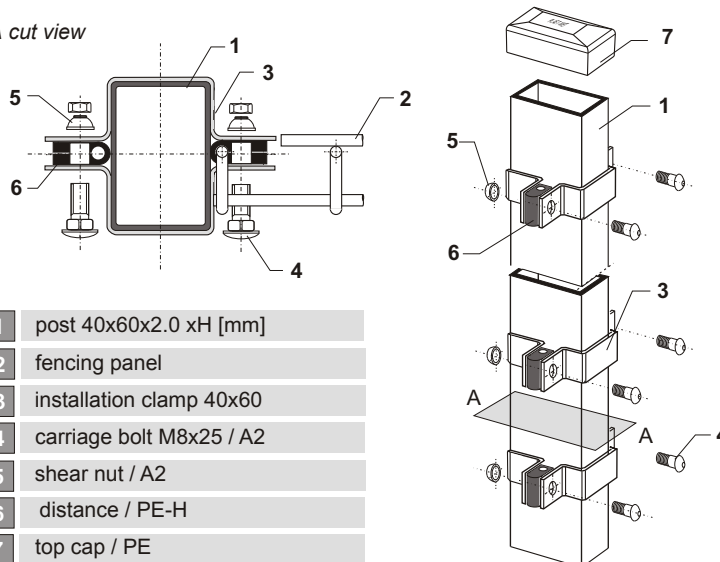
2W Panels

↓	Panel	Panel height	800	1000	1200	1400	1600
			[mm]	[mm]	[mm]	[mm]	[mm]
2W	FORTIS	5/5	x	x	x	x	x
	FOLK	5/4	x	x	x	x	-
	FOX	4/4	x	x	x	-	-

Panels to posts installation system

A

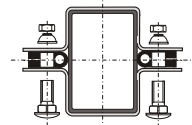
A-A cut view



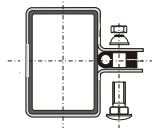
- 1 post 40x60x2.0 xH [mm]
- 2 fencing panel
- 3 installation clamp 40x60
- 4 carriage bolt M8x25 / A2
- 5 shear nut / A2
- 6 distance / PE-H
- 7 top cap / PE

fastening with 40x60 installation clamp

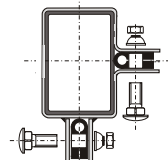
→ intermediate



→ initial



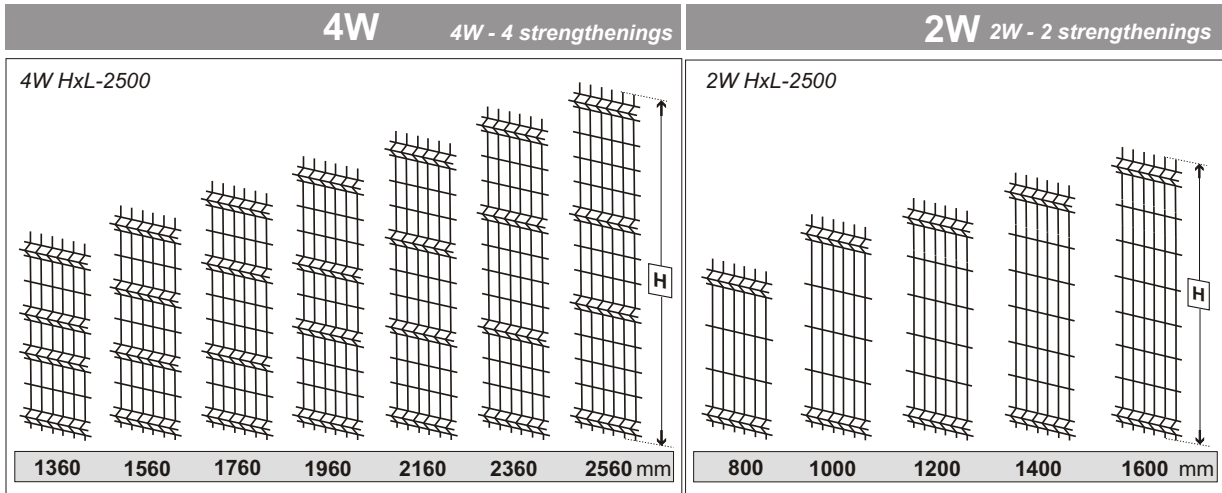
→ corner



installation clamp types

System fences

Dimension modules and parameters of 2W and 4W fencing panels:

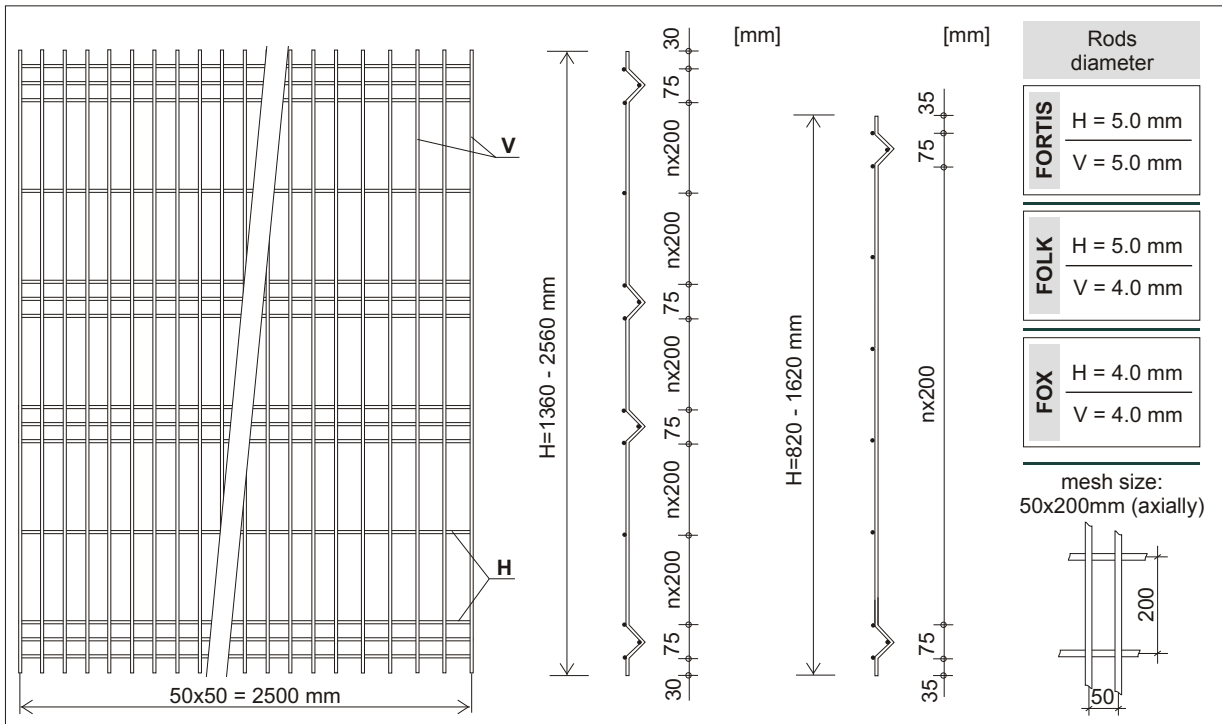


Panel made in accordance with norm:

EN 10223-7: 2002 (PKN 06-2005r.)

Type: 4W

2W

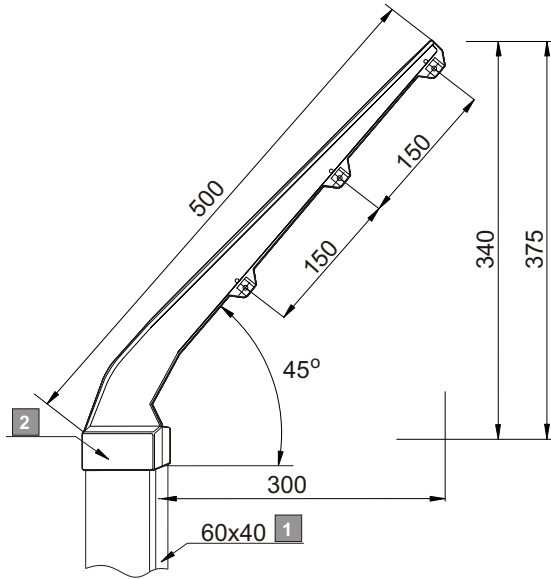


Technical data:

▼	Type	Panel height [mm]	Panel width [mm]	Post height [mm]	Version [model]	Number of clamps [szt]
	4W/H-1360	1360	2500	2000	fortis / folk / fox	3
	4W/H-1560	1560	2500	2200	fortis / folk / fox	3
	4W/H-1760	1760	2500	2400	fortis / folk	4
	4W/H-1960	1960	2500	2600	fortis / folk	4
	4W/H-2160	2160	2500	2800	fortis	4
	4W/H-2360	2360	2500	3000	fortis	4
	4W/H-2560	2560	2500	3200	fortis	5
	2W/H- 800	800	2500	1400	fortis / folk / fox	2
	2W/H-1000	1000	2500	1600	fortis / folk / fox	2
	2W/H-1200	1200	2500	1800	fortis / folk / fox	3
	2W/H-1400	1400	2500	2000	fortis / folk	3
	2W/H-1600	1600	2500	2200	fortis	3

Additional installation accessories

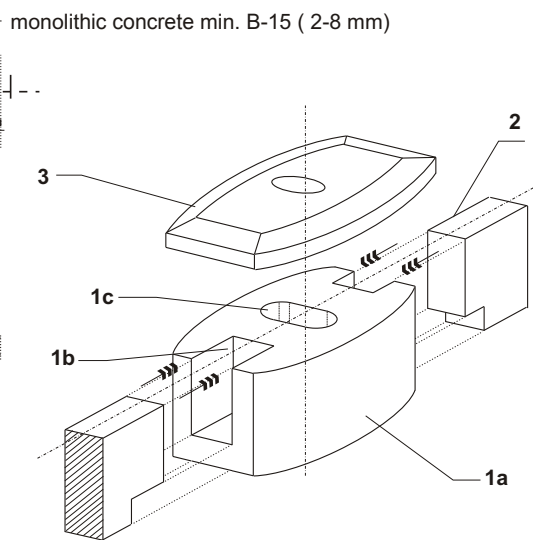
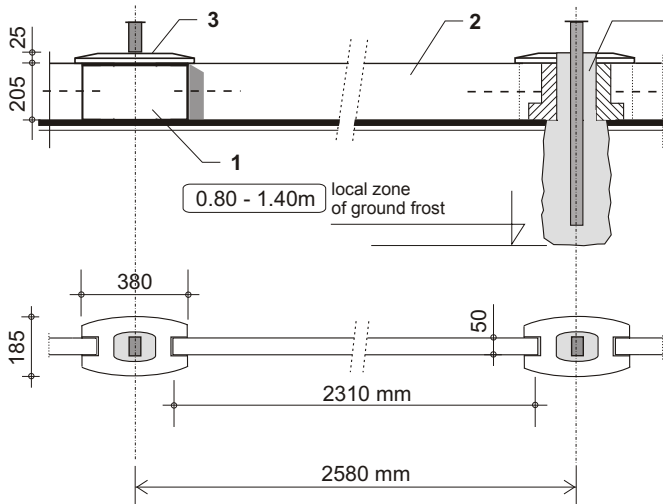
"CROWN" outrigger for barbed wire



option of equipping 40x60 panel post with "CROWN" outrigger allows to increase the protection of fenced area in better and more efficient way

- 1 post 40x60x2.0 xH [mm]
- 2 aluminium outrigger (offset arm) "CROWN" 40x60 for 3 rows of barbed wire 45° deflection angle

Prefabricated pedestal - technical data:

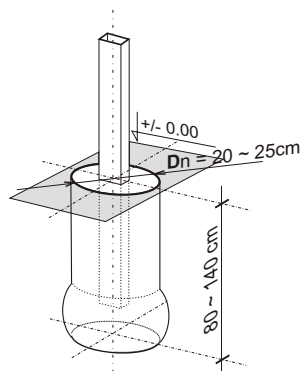


	Weight [kg]	Material
1 bearing foot	22,00	B-15 concrete
2 pedestal plate	55,00	B-15 RC
3 cover	3,00	B-15 concrete

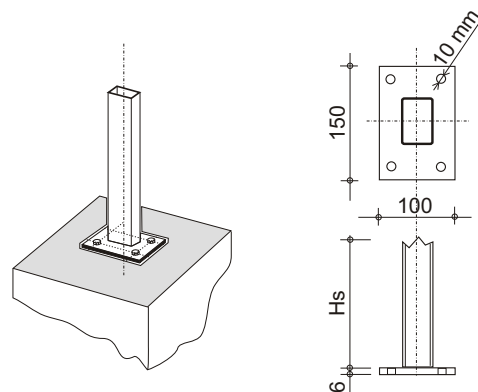
1a - bearing foot (hollow brick)
1b - key for pedestal plate
1c - post installation seat

Panel post installation versions:

a
in monolithic foundation



b
on steel footingj 100x150 mm



Rust proofings:
HOT DIP ZINC COATING

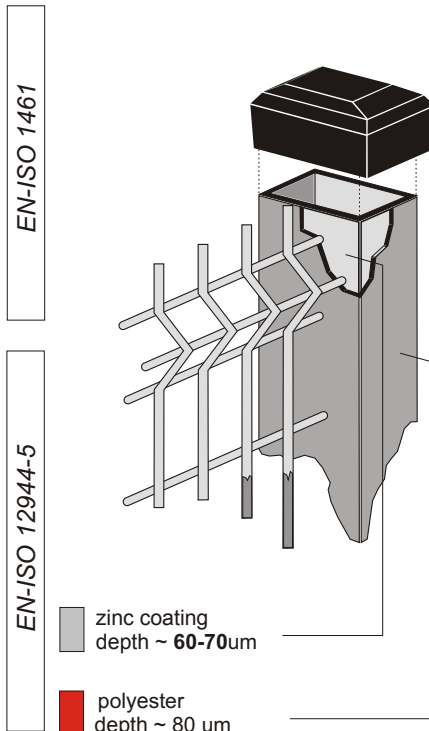
Elements of *PLAST-MET* system panel fencing: panels, posts and installation clamps are rust proofed with zinc coating through hot dip zinc coating process, strictly according to EN-ISO 1491 (DIN 50976) standards.

As the result of hot dip zinc coating process (bathing in liquid zinc of temp. 440-460 C) on the surface of galvanizing element diffusion proceeds, that means steel and zinc create joint alloy layer where the layer of pure zinc accumulates.

DUPLEX

Rust proofings in *DUPLEX* system consists in spreading onto previously appropriately prepared zinc coating special paint coat. In *DUPLEX* system of *PLAST-MET* company such coat is polyester powder lacquer coated in electrostatic method.

Surface preparation of galvanized steel is the most fundamental element influencing paint coat durability. Aware of this, we use vapour blasting called also "sweeping", which enables obtaining the highest level of paint coat adhesion and as a result - their highest quality.


A2


All link elements, that means carriage bolt M8x25 / 80 , nuts (shear and hexagonal) are made of A2 stainless steel.

RAL

standard colouring:

RAL 6005 / RAL 8017 / RAL 5010 / RAL 7030 / RAL 9005

Annotations and special solutions:
1 annotations:

1.1) fencing panels designed for performance of fencing the areas of schools, kindergartens and bus stops and others are recommended to be made according to special recommendation in which panel is devoid of upper wire ends (comb). This way we prevent presumable possibility of hurting persons who may go over the fence in forbidden way.

1.2) in case of installation fencing panels in segments of length < 2.50m, we shorten them at the place of installation (construction site). We perform cutting the panels with shears (enabling rods cutting to 8mm). We shorten the panel in modular way, every 50 mm, possibly close to the weld. We secure cut rods with lacquer mordant in given colour.

2 individual solutions:

Fencing panels system allows possibility of any kind of development in the form of:

- coops for dogs;
- dustbin covers;
- construction site temporary fenceings.